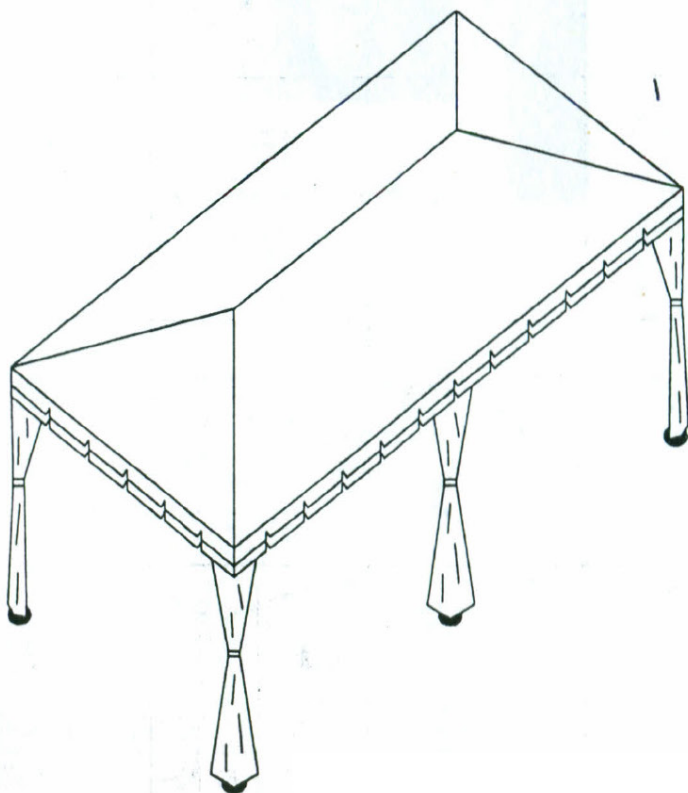
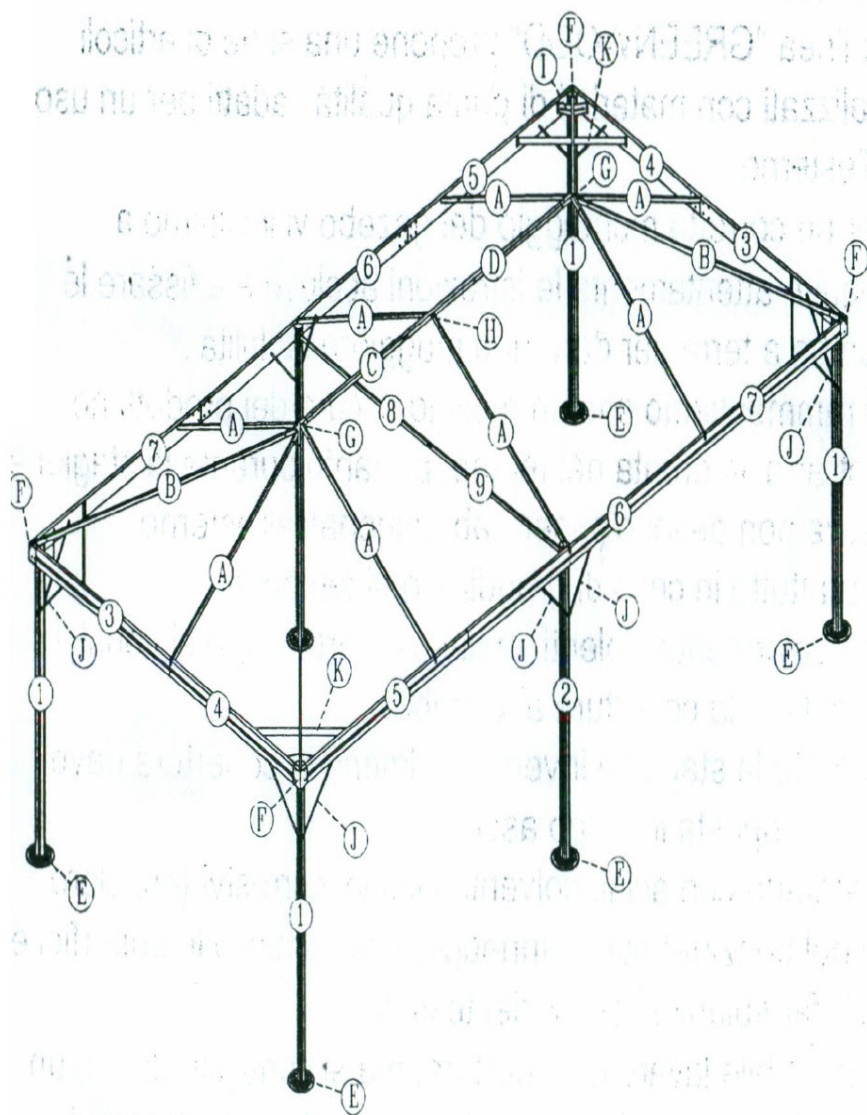


 Dekkor

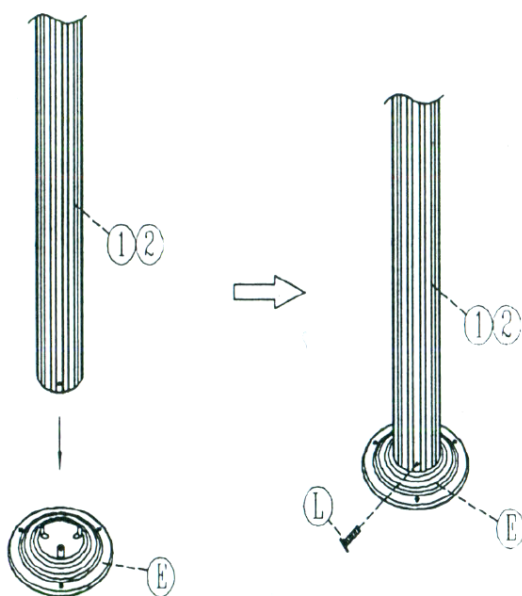


① Standing pole		② Standing pole		
4 PCS		2 PCS		
③ Side pole	④ Side pole	⑤ Side pole	⑥ Side pole	
2 PCS	2 PCS	2 PCS	2 PCS	
⑦ Side pole	⑧ Side pole	⑨ Side pole	A Midmost rib	
2 PCS	1 PC	1 PC	8 PCS	
B Side rib	C Central top rib	D Central top rib	E Underpan	
4 PCS	1 PC	1 PC	6 PCS	
F Angle	G Top joint plate	H Central connector	I Short Bar	J Crossing rib
4 PCS	2 PCS	1 PC	4 PCS	12 PCS
K Long Bar	L M6x12 bolt	M M6x16 bolt	N M8x50 bolt	O M6x35 bolt
4 PCS	148 PCS	2 PCS	16 SETS	4 PCS
P Linked parts	Q Ground nail	R Cover	S Hook	T Sidepanels
4 PCS	18 PCS	1 PC	64 PCS	6 PCS(SET)

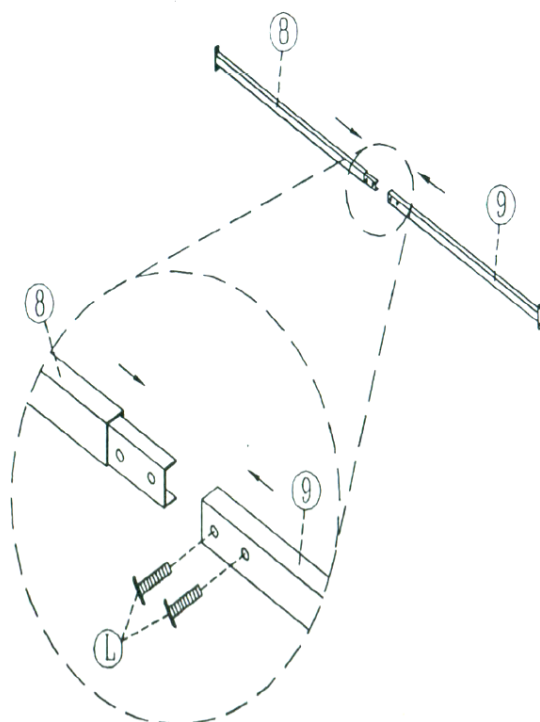


PASSO 1:

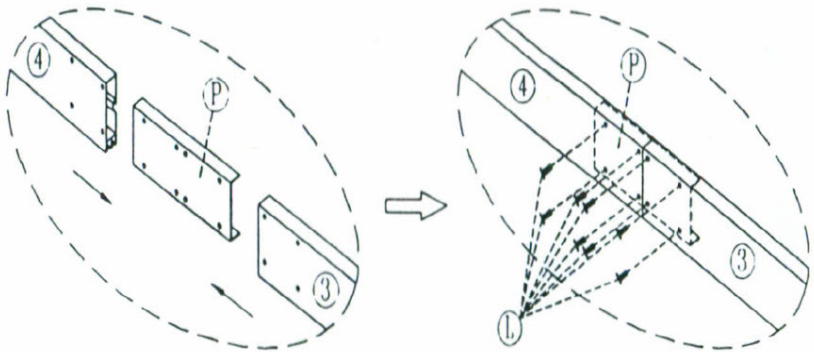
< 1 >



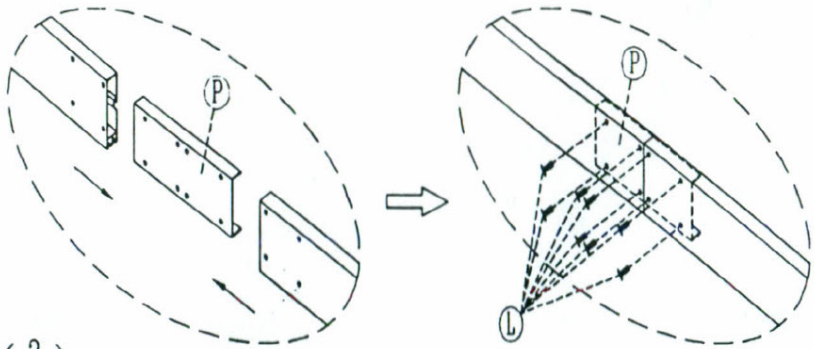
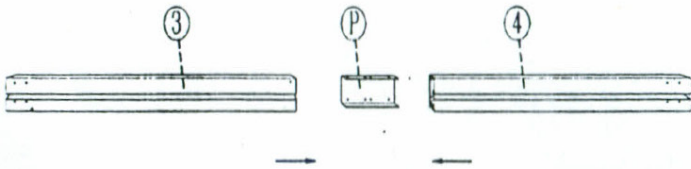
< 2 >



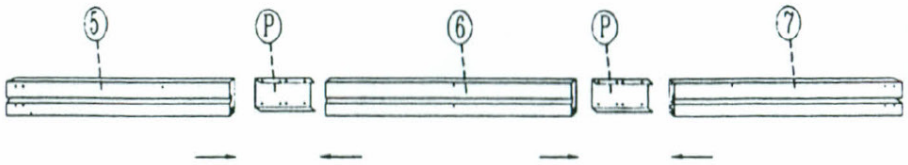
PASSO 2:



< 1 >

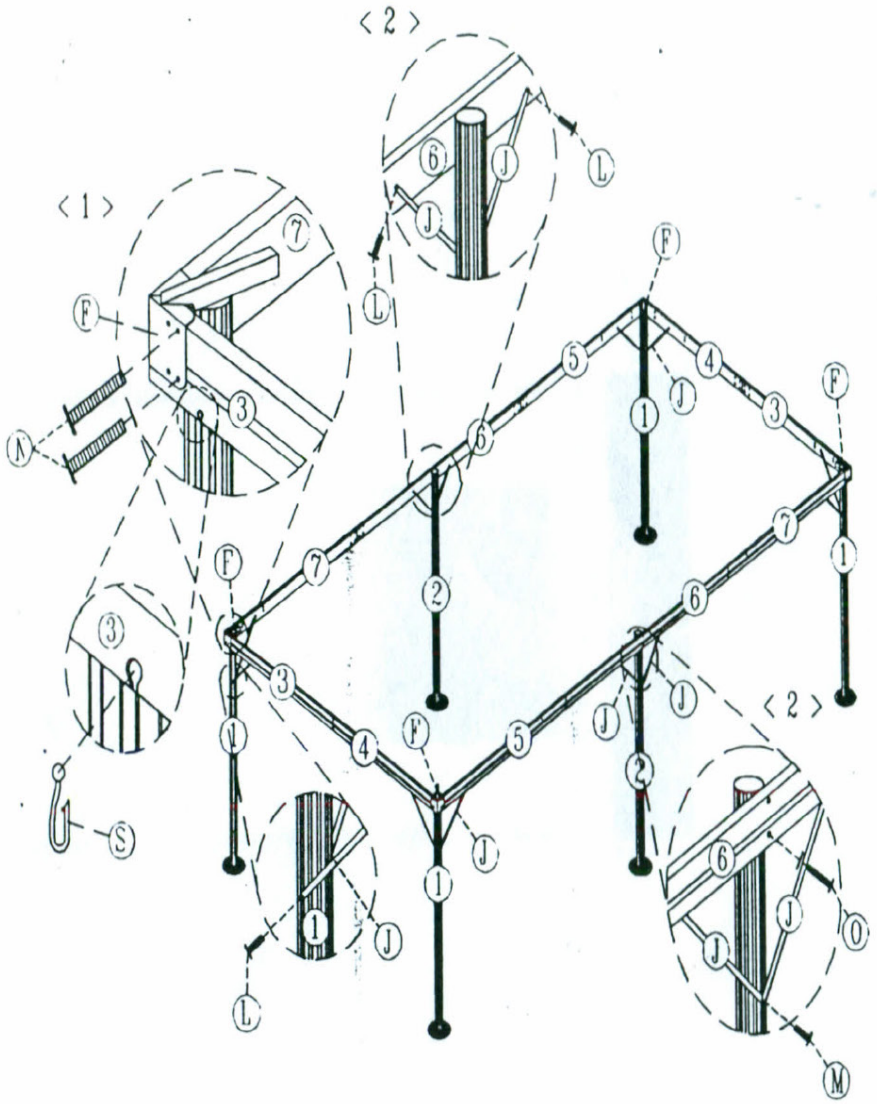


< 2 >

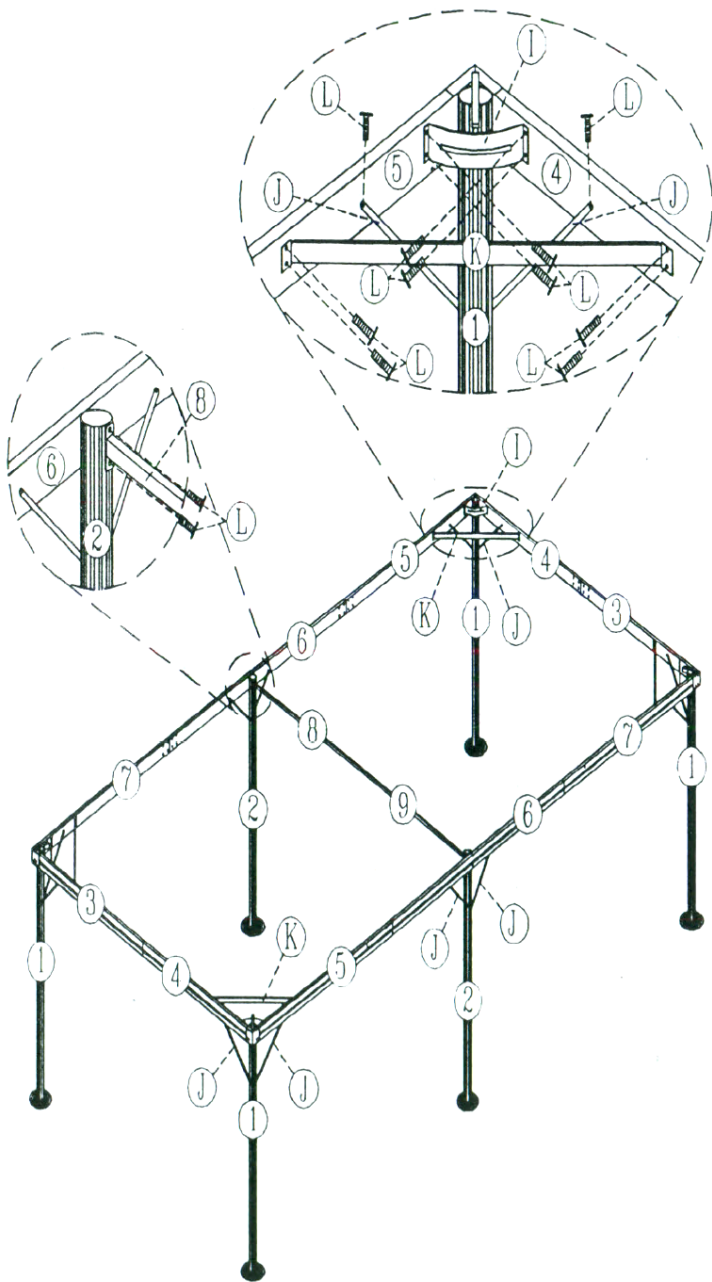


5

PASSO 3:

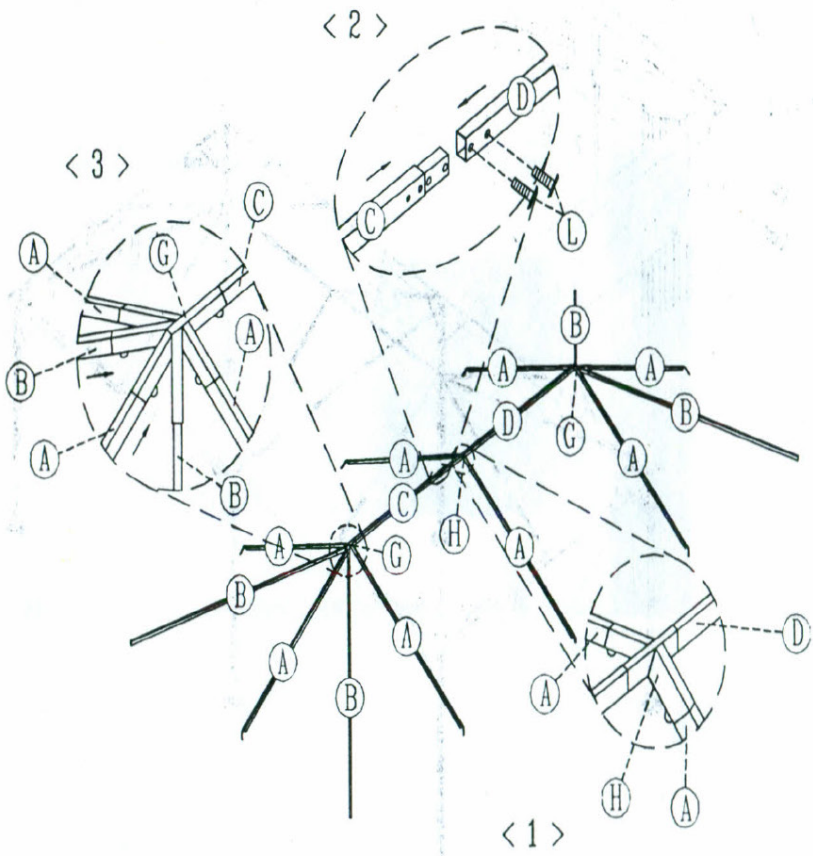


PASSO 4:



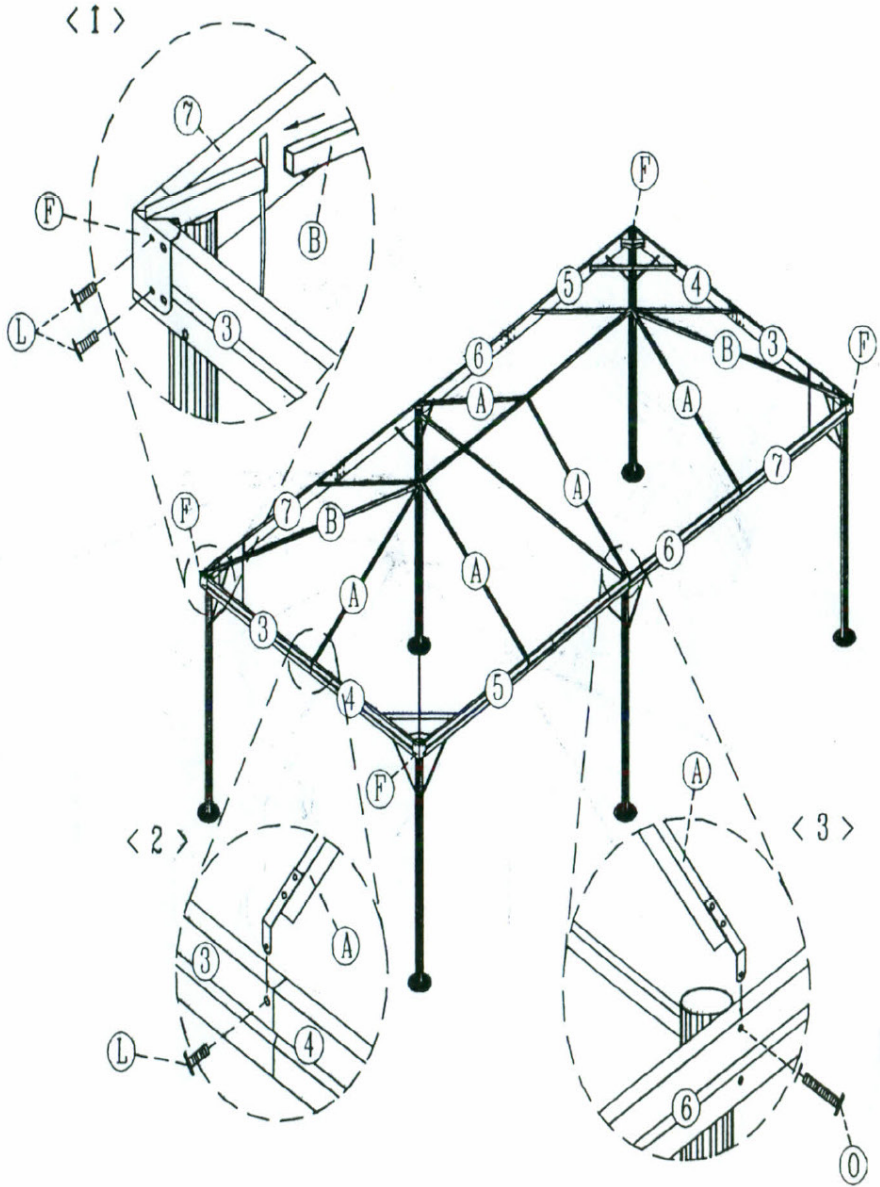
⑦

PASSO 5:

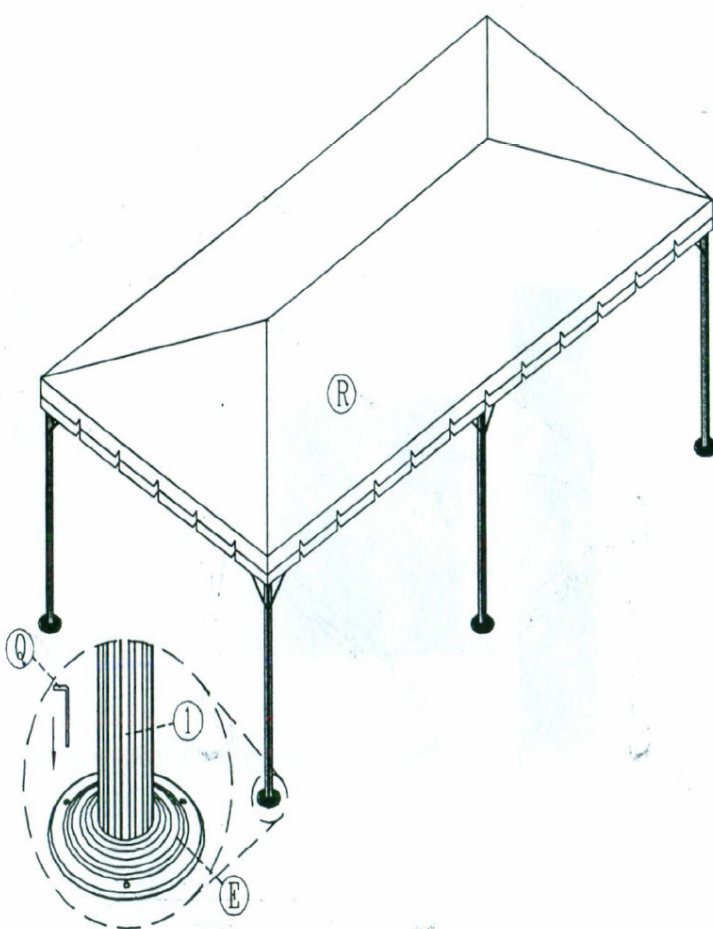




PASSO 6:



PASSO 7:



PASSO 8:

